

## REFRIGERANT LOCKING CAP

### Submittal Information

Part No 91601-10 - 91604-6K  
 Document No. SPECA91601-10 - 91604-6K  
 Date 2023-04-24  
 Revision 03

### General Properties

Refrigerant Type: R-22, R-410, UNIVERSAL  
 Material: Outer layer: Aluminum  
 Internal thread: Brass  
 Color: Red, Green, Silver  
 Applications: Air conditioning units, Refrigerators, Cold storage facilities and Cold chain logistics.

### Specification

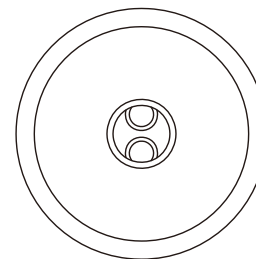
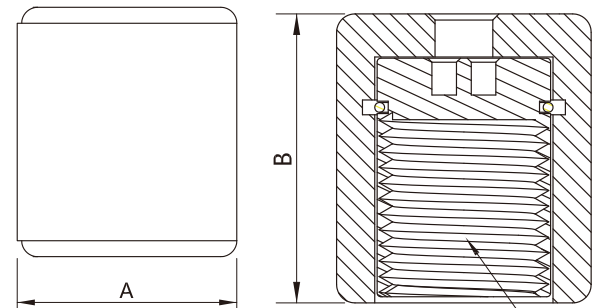
REFRIGERANT LOCKING CAP					
Item No.	Color	Refrigerant	Flaer	Qty of keys	Pack QTY
91601-10	GREEN	R-22	1/4"	/	10
91601-12					12
91601-2					2
91601-50K					2
91601-6K					1
91602-10	RED	R-410	1/4"	/	10
91602-12					12
91602-2					2
91602-50K					2
91602-6K					1
91603-10	SILVER	UNIVERSAL	1/4"	/	10
91603-12					12
91603-2					2
91603-50K					2
91603-6K					1
91604-10	SILVER	UNIVERSAL	1/4"	/	10
91604-12					12
91604-2					2
91604-50K					2
91604-6K				1	6

KEY FOR REFRIGERANT SAFETY CAPS		
Item No.	DES.	Pack QTY
91605	REFRIGERANT SAFETY CAP, SINGLE PACK OF UNIVERSAL TOOL	1

### Features

- Meets the requirements of IMC and IRC codes.
- Has an anodized aluminum casing with threaded brass inserts, which makes them resistant to harsh weather conditions.
- Comes with a universal key that fits locking caps from all major manufacturers.
- Tamper-resistant design makes it difficult to access the refrigerant. Special tools are required to apply or remove the caps.
- The caps are embossed and color-coded, which helps prevent accidental mixing of refrigerant gases in A/C systems.
- Proper installation of the caps safeguards against refrigerant leakage, which can be harmful to the environment and human health.

Note: Sell only to the licensed A/C technicians.



Item No.	Size		
	A	B	C
91601-10	0.73"	0.86"	7/16"-20 UNF
91601-12			
91601-2			
91601-50K			
91601-6K			
91602-10	0.73"	0.86"	7/16"-20 UNF
91602-12			
91602-2			
91602-50K			
91602-6K			
91603-10	0.82"	0.96"	1/2"-20 UNF
91603-12			
91603-2			
91603-50K			
91603-6K			
91604-10	0.73"	0.86"	7/16"-20 UNF
91604-12			
91604-2			
91604-50K			
91604-6K			