

ONE PIECE CONDENSER RISERS

Submittal Information

Part No	18030-18040
Document No.	SPEC18030
Date	2023-03-22
Revision	03

General Properties

Composition:	High-pressure injection molded polypropylene
Color:	Gray/Black
Maximum Uniform Load:	2000 pounds
Maximum Point Load:	Less than 560 pounds

Purpose

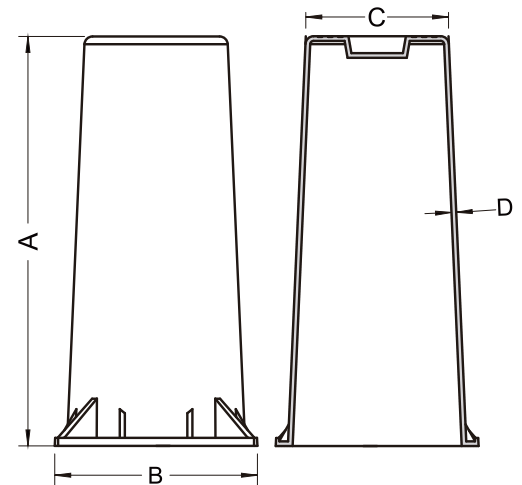
Heat Pump Risers provide a sturdy and stable solution for adding elevation to a heat pump or air handler.

Specification

Item No.	Specifications	U/M	Std. Pkg.
18030	3" ONE-PIECE HEAT PUMP STAND	EA	48
18031	6" ONE-PIECE HEAT PUMP STAND	EA	36
18040	12" ONE-PIECE HEAT PUMP STAND	EA	16

Features

- Sturdy & Stable.
- Protect your system from rain or snow.
- Extends the life of your condenser or heat pump by allowing the base of the unit to stay dry.
- Butyl mastic on the top and bottom guarantees no slipping and reduced vibration and noise.
- Provides a desired elevation for condensers, heat pumps, and air handlers.
- Convenient nestable design allows for maximum shipping and storage density.



Item No.	Detail			
	A	B	C	D
18030	3.0"	6-1/4"	3-7/8"	1/11"
18031	6.0"	6-1/4"	3-7/8"	1/11"
18040	12.0"	6-1/4"	4-1/4"	1/7"