

MINI SPLIT A/C PUMP STANDS

Submittal Information

Part No.	18701-18704
Document No.	SPEC18701
Date	2023-08-18
Revision	01

General Properties

- Material: Heavy-duty Steel
- Finish: Powder Coated Steel
- Max Load: 500 lbs
- Color: Off-White
- Application: Mini Split Condenser

Specification

Item No.	Specifications	Std. Pkg.	U/M	Universal Fit
18701	MINI SPLIT A/C PUMP STANDS, L35 1/2" x W18" x H12"	4	KT	9,000-24,000 BTU
18702	MINI SPLIT A/C PUMP STANDS, L35 1/2" x W22" x H12"	4	KT	9,000-36,000 BTU
18703	MINI SPLIT A/C PUMP STANDS, L35 1/2" x W18" x H18"	4	KT	9,000-24,000 BTU
18704	MINI SPLIT A/C PUMP STANDS, L35 1/2" x W22" x H18"	4	KT	9,000-36,000 BTU

Features

- Constructed from high-performance steel with a weather-resistant coating for durable protection.
- Elevates the A/C unit to avoid direct contact with the ground.
- Anti-corrosion design protecting the A/C unit from rust and moisture damage.
- Allows the slider to be adjusted according to the size of the A/C unit, and built-in measurement helps to directly confirm the length when adjusting.
- Anti-Vibration Units can reduce noise and prevent unnecessary movement.
- Easily installable on flat surfaces, compatible with major mini split A/Cs and heat pumps, adhering to industrial code.
- Compact size, saving storage space and transportation costs.

Note

- DO NOT use for any purposes other than Mini split condenser.
- DO NOT remodel or overload.
- Follow assembly instructions to ensure a secure setup.



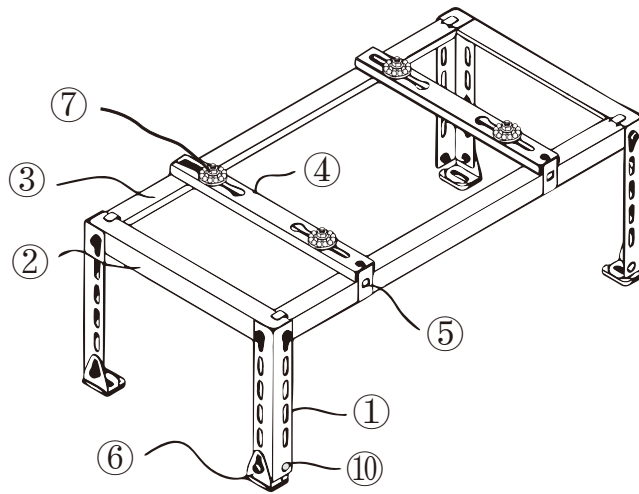
MINI SPLIT A/C PUMP STANDS

Installation Instructions

Accessories List

①	②	③	④	⑤	⑥	⑦	⑧	⑨	⑩
Support Rod *4	Vertical Support *2	Horizontal Support*2	Base Rod *2	Base Rod Fastener*2	Mounting Plate *4	Anti-Vibration Units*4	Hex Bolt*12	Machine Screw *2	Plastic Cover *4

Assembly Diagram



1 Insert the vertical supports into the horizontal supports to form a frame.

2 Install the mounting plate on the support rods and secure with hex bolts.

3 Use hex bolts to assemble components **1** and **2** together, adjusting for height as needed.

4 According to the installation dimensions of the outdoor unit, place the base rod on the frame and insert the lower rod fasteners into the base rod.

⑤ Install the base rod fasteners using machine screws, slightly tightening them.

④ Insert the base rod beneath the machine screws on the base rod fasteners, and gradually tighten.

5 Based on the fixed installation dimensions of the outdoor unit, install the anti-vibration units on the base rod.